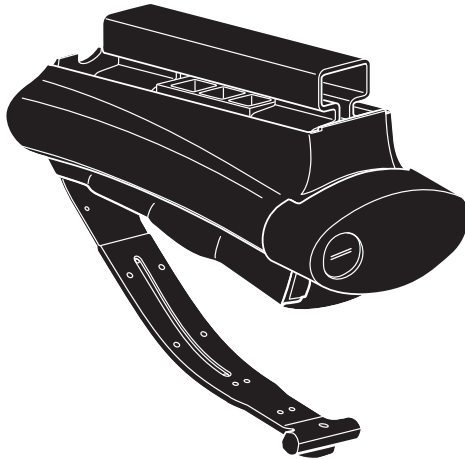


Thule Rapid System 775

➤ Instructions



ISO 11154-E

CITY CRASH

Complies with ISO norm



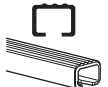
THULE WingBar



THULE SlideBar



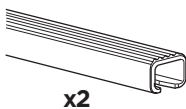
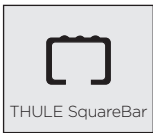
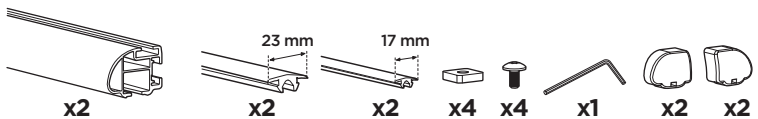
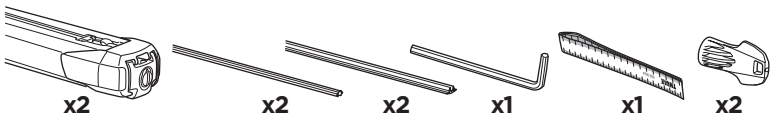
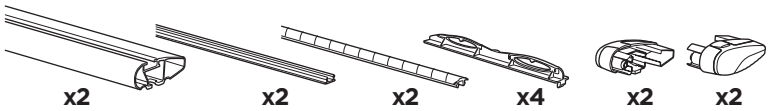
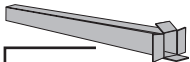
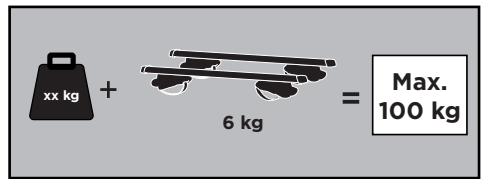
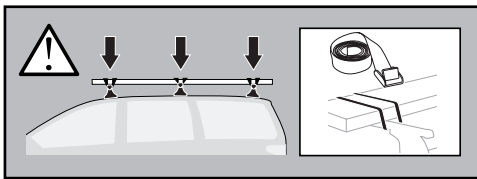
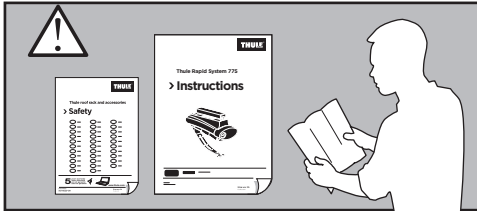
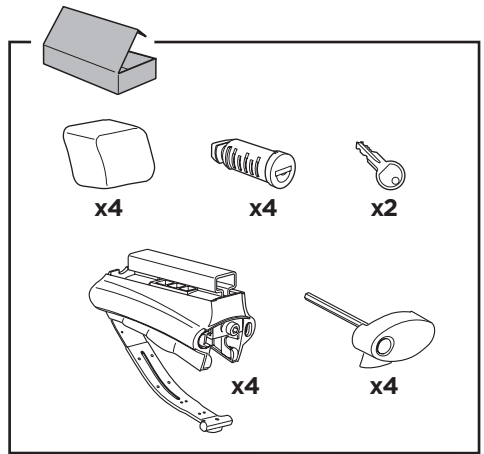
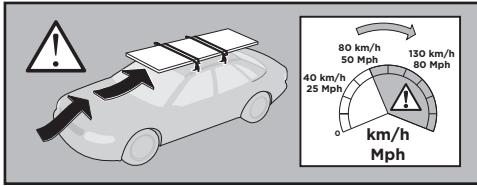
THULE ProBar



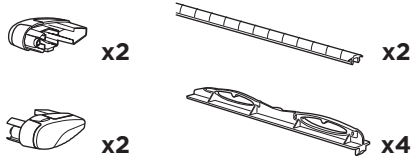
THULE SquareBar

775000

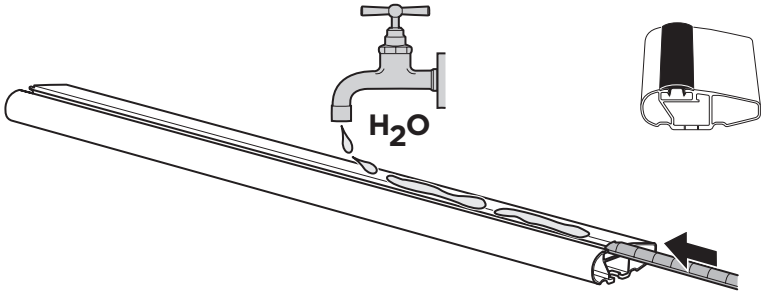
C.20150501
501-6882-06



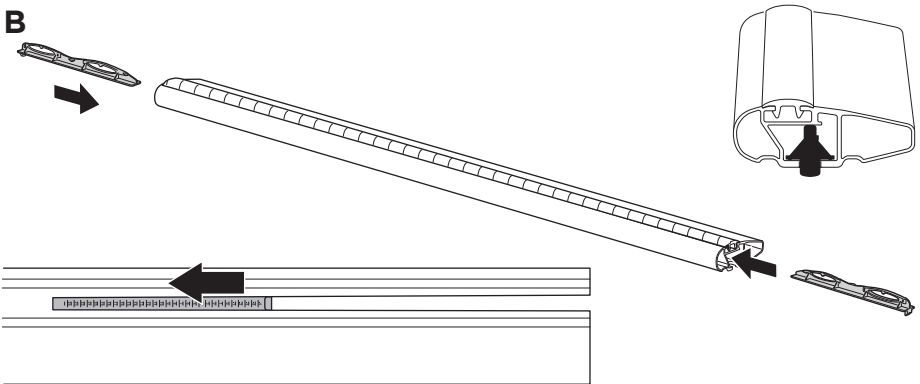
1



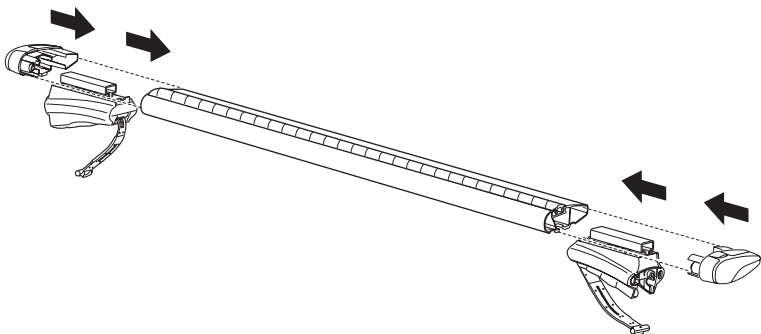
A



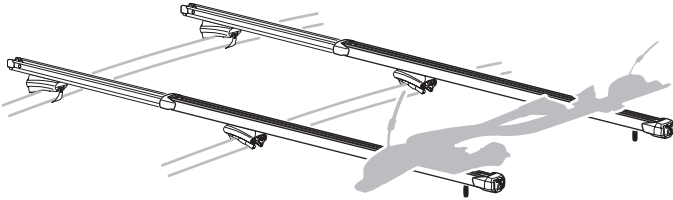
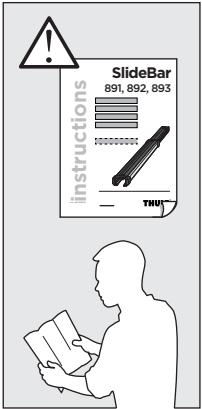
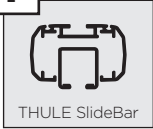
B



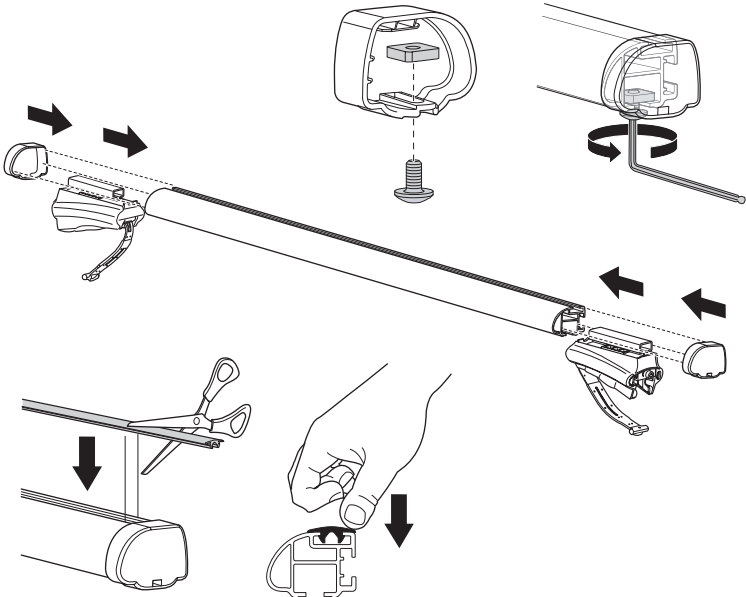
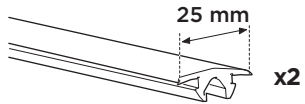
C



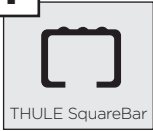
1



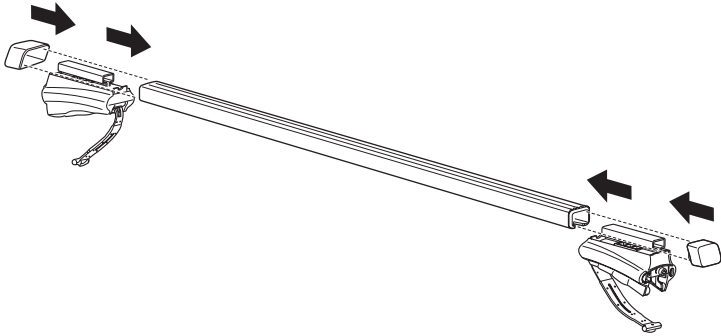
1



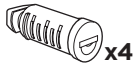
1



x4



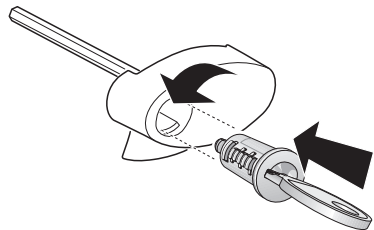
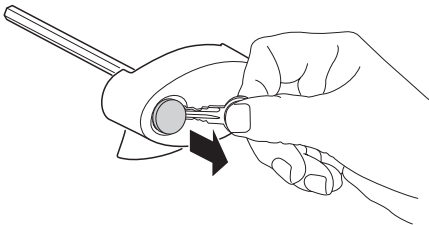
2

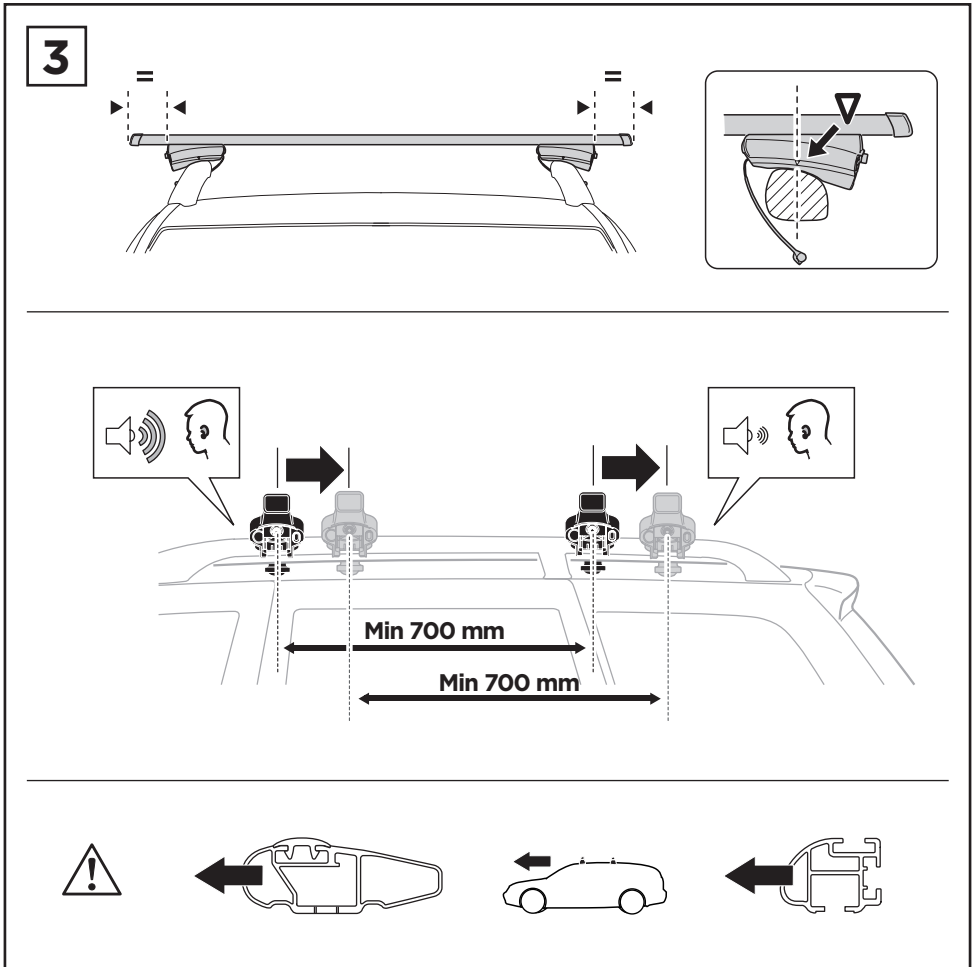
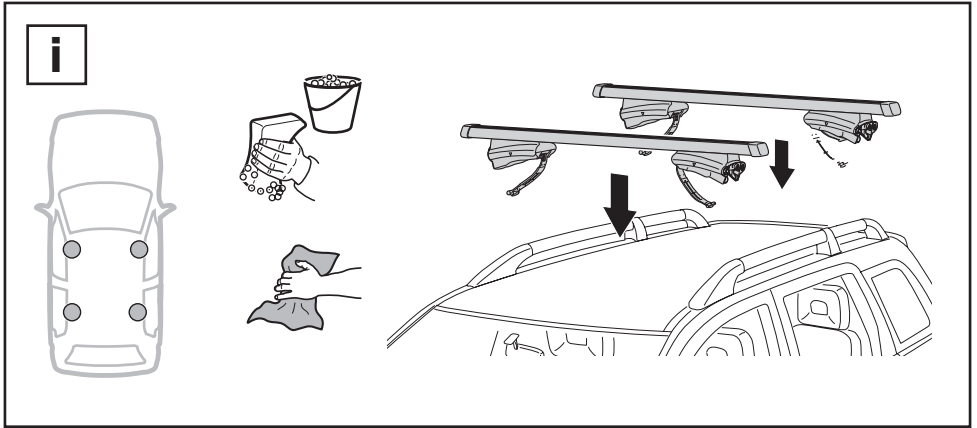


x4

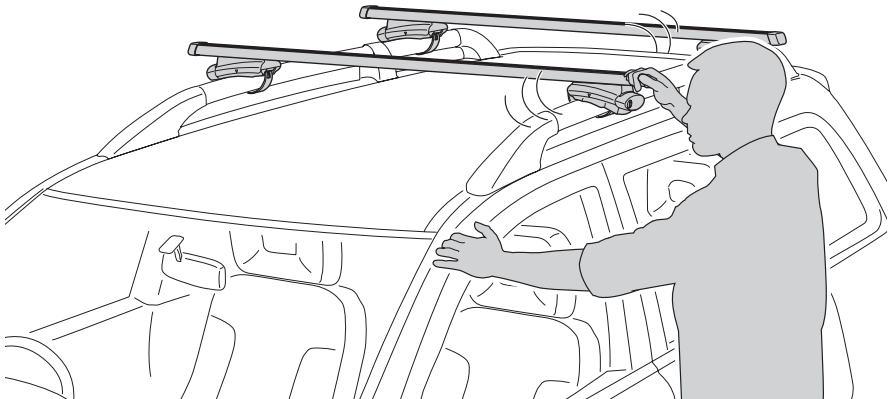
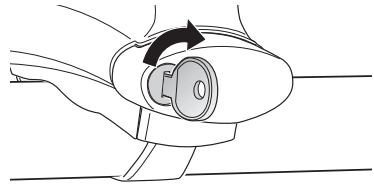
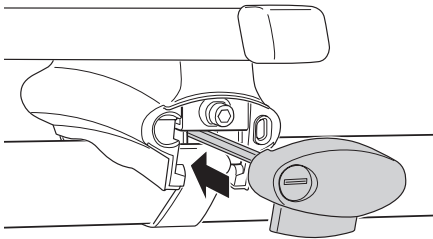
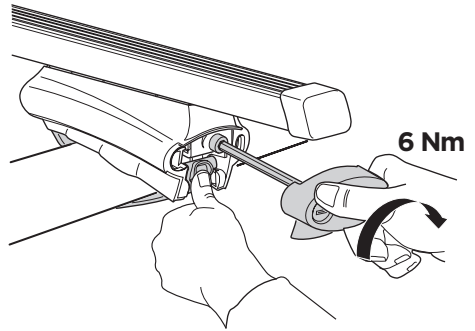
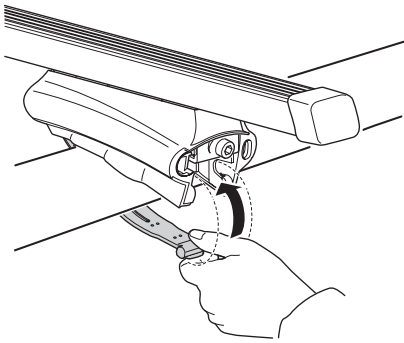


x2



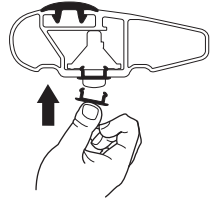
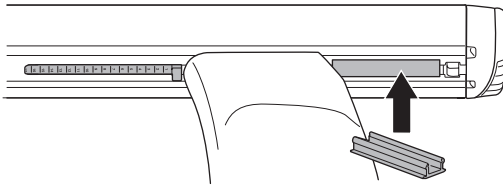
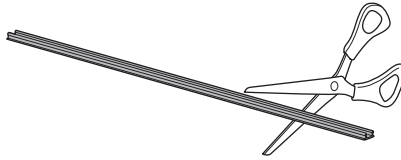
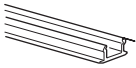


4

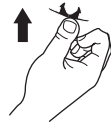
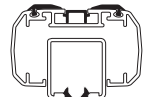
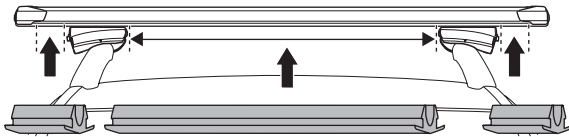
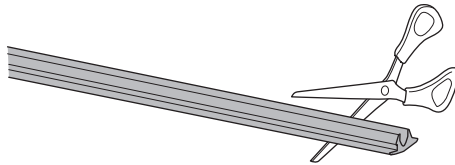
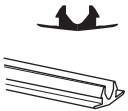


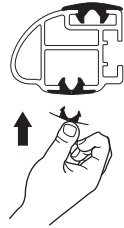
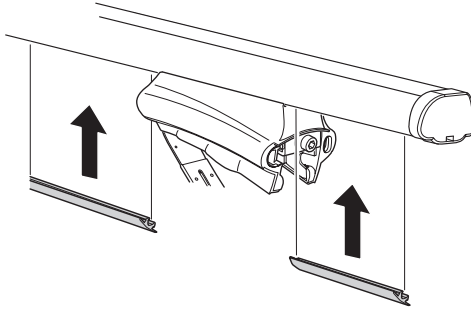
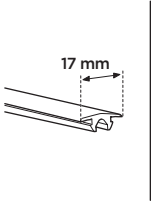
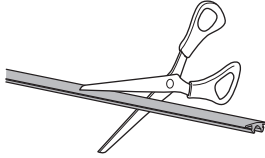


THULE WingBar



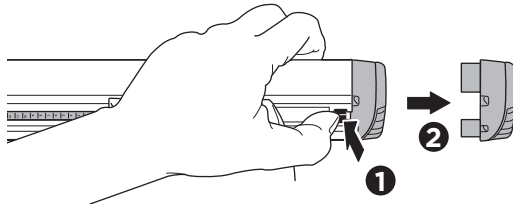
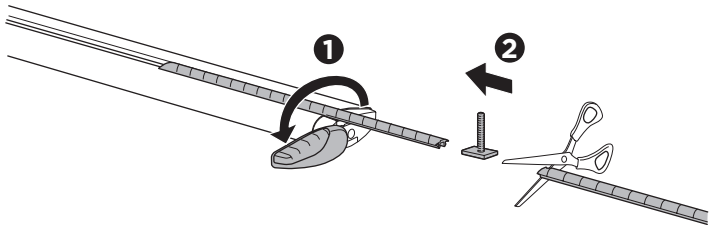
THULE SlideBar



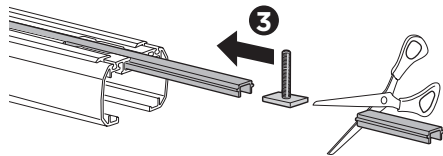
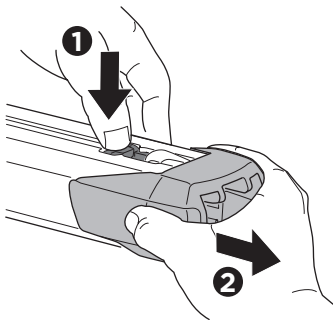




THULE WingBar

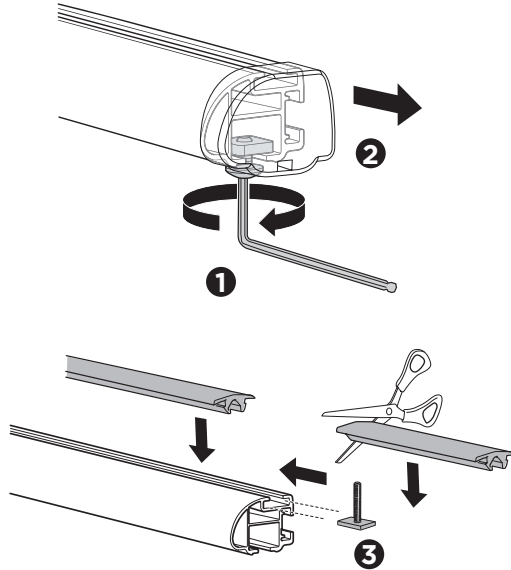


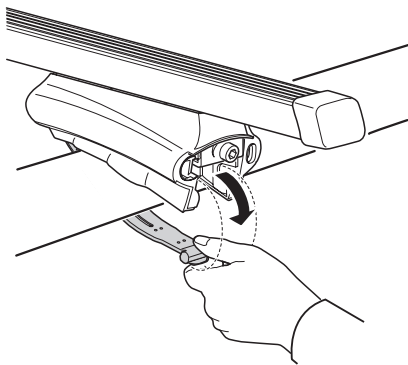
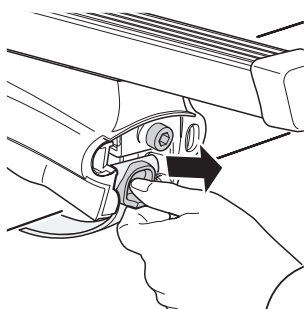
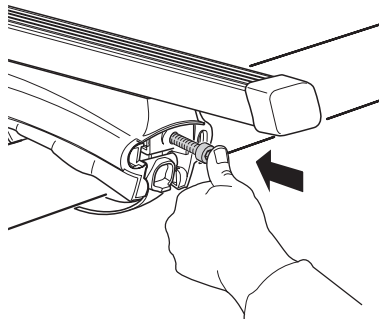
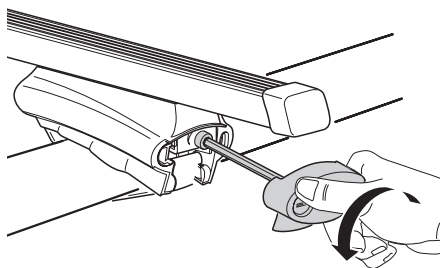
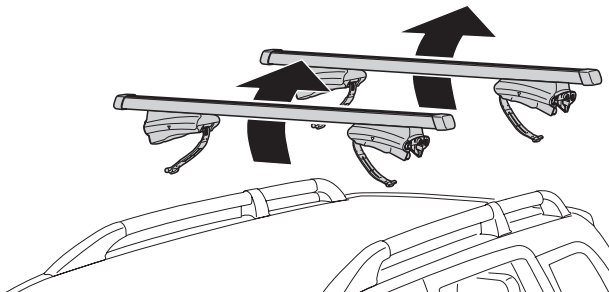
THULE SlideBar



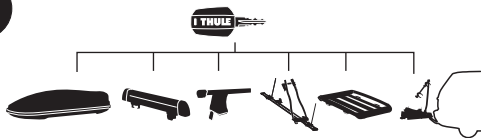


THULE ProBar





Thule One-Key System



544  (x4)

596  (x6)

588  (x8)

452  (x12)